

# Product Data Sheet

GMAE4507A

# TETRA UHF

## GPS Combination Antenna



### GMAE4507A

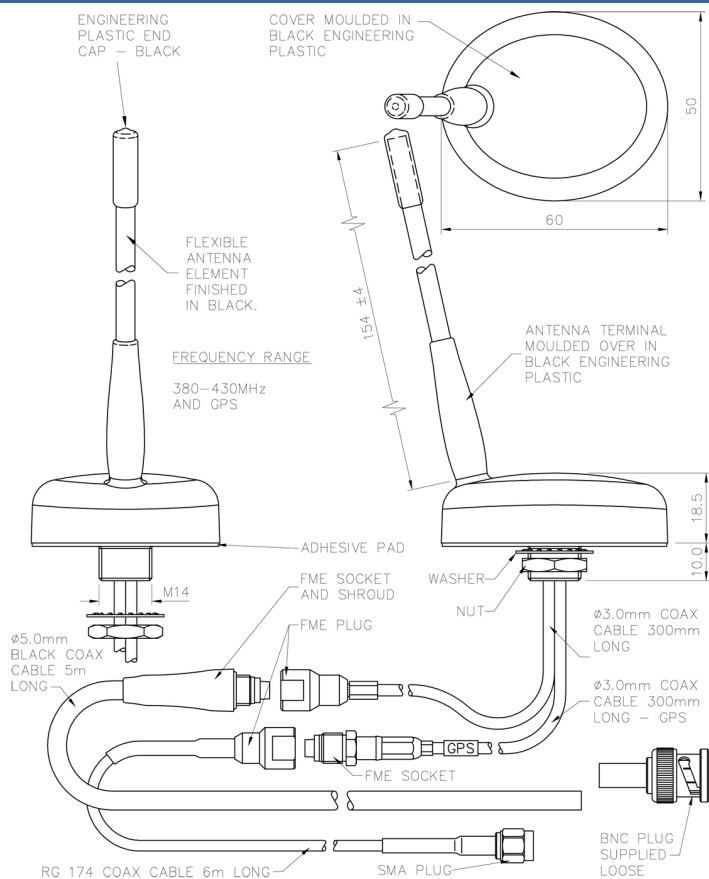
- Excellent performance
- Active GPS element
- Single hole fixing

The GPSK antenna range is a dual function, high performance TETRA antenna with an active GPS element.

The GPSK range covers frequencies from 300MHz to 470MHz, depending on the equipment requirements. With the ability to mount on a roof up to 6mm thick using only a single 14mm hole.

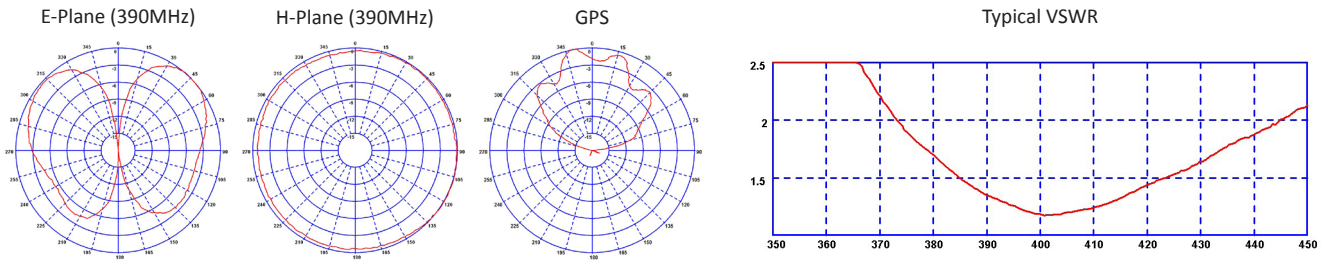
The twin functionality of the Panorama GPSK range makes the antennas a popular choice for police, buses, taxi's and other public service and utility vehicles.

#### Technical Drawing



# TETRA UHF

## GPS Combination Antenna



<b>Part No.</b>		GMAE4507A
<b>Electrical Data</b>		
Frequency Range (MHz)	380-430	
Operational Band	TET	
Gain: Isotropic	2dBi	
Compared to ¼ wave	0dB	
Polarisation	Vertical	
Pattern	Omni-directional	
Impedance	50Ω	
Max Input Power (W)	25	
<b>GPS Data</b>		
Frequency Range (MHz)	1575	
VSWR	<1.5:1 ± 4MHz	
Gain: LNA	26dB	
Polarisation	Right Hand Circular	
Operating Voltage	3 - 7V DC (fed via coax)	
Current	Typical 14mA	
<b>Mechanical Data</b>		
Dimensions (mm)	Whip Length	154
	Base Height	18.5
	Base Length	60
	Base Width	50
Operating Temp (°C)	-40° / +80°C	
Material	Engineering plastic	
Colour	Black	
<b>Mounting Data</b>		
Fixing	Panel mount	
Hole Size (mm)	15	
<b>Cable Data</b>		
GPS Cable	Type	RG174
	Thickness (mm)	3.0
	Length (m)	6
	Termination	SMA Plug
Comms Cable	Type	CS23
	Thickness (mm)	5.0
	Length (m)	5
	Termination	Bare end with loose BNC

**Panorama Antennas Ltd**  
Frogmore, London, SW18 1HF, United Kingdom

T: +44 (0)20 8877 4444  
F: +44 (0)20 8877 4477

E: [sales@panorama-antennas.com](mailto:sales@panorama-antennas.com)  
[www.panorama-antennas.com](http://www.panorama-antennas.com)

**PANORAMA  ANTENNAS**